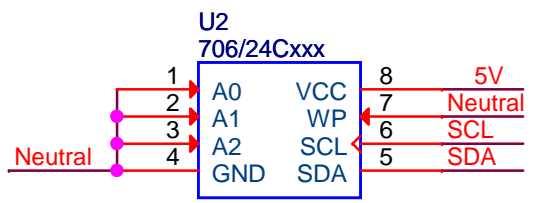
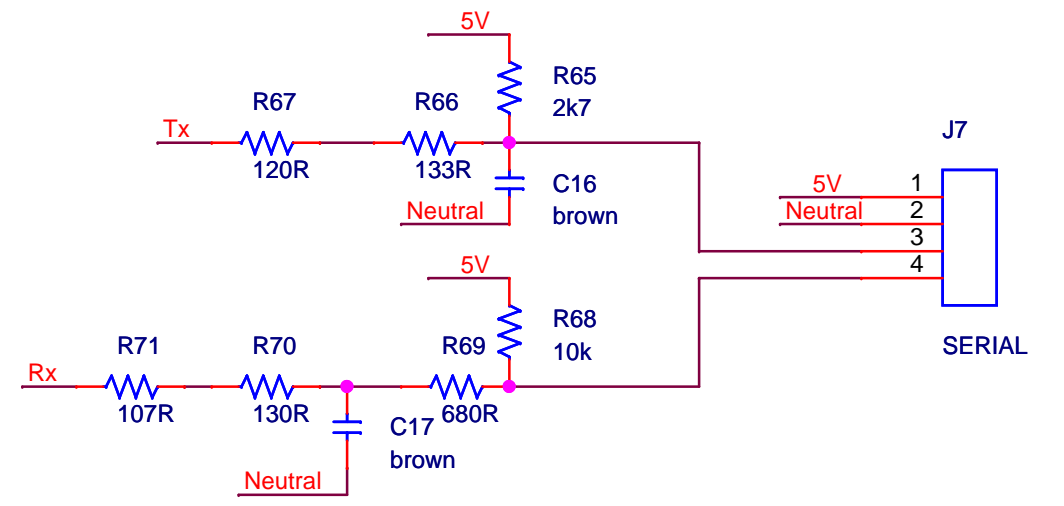
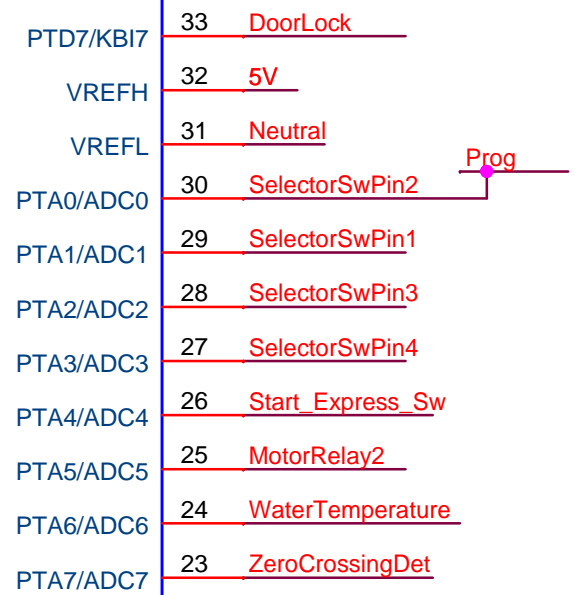
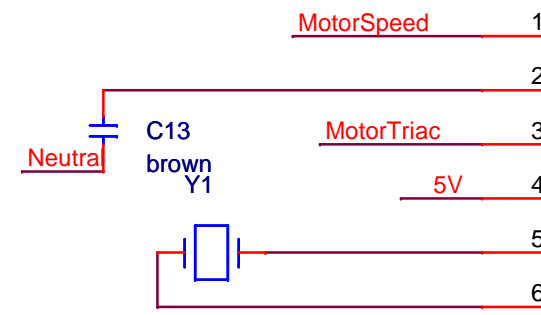
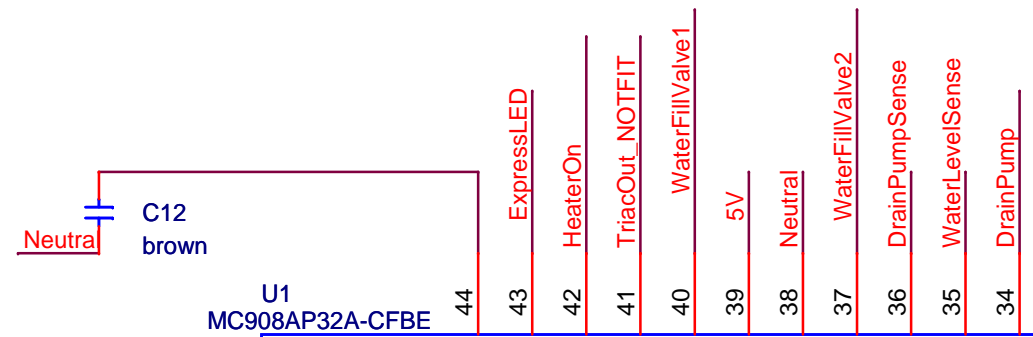
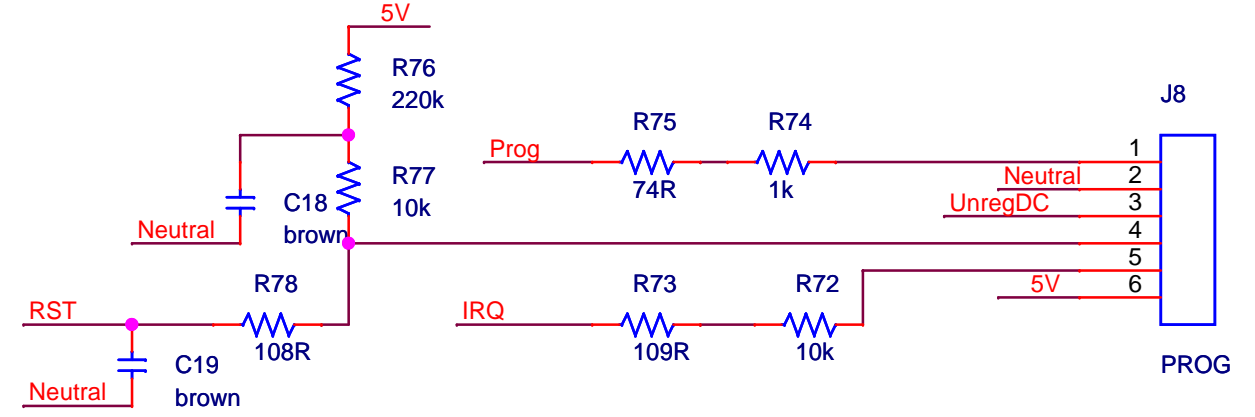
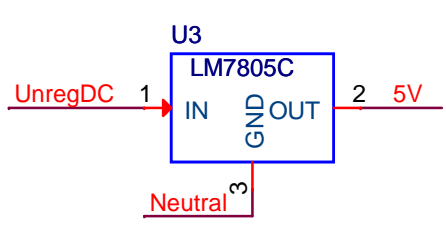
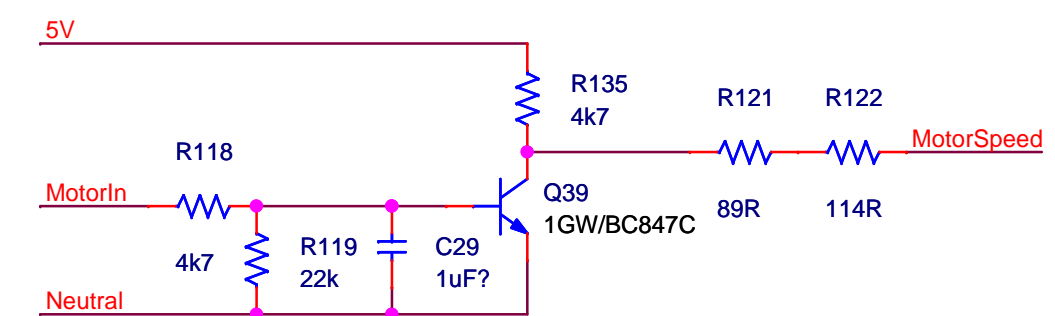
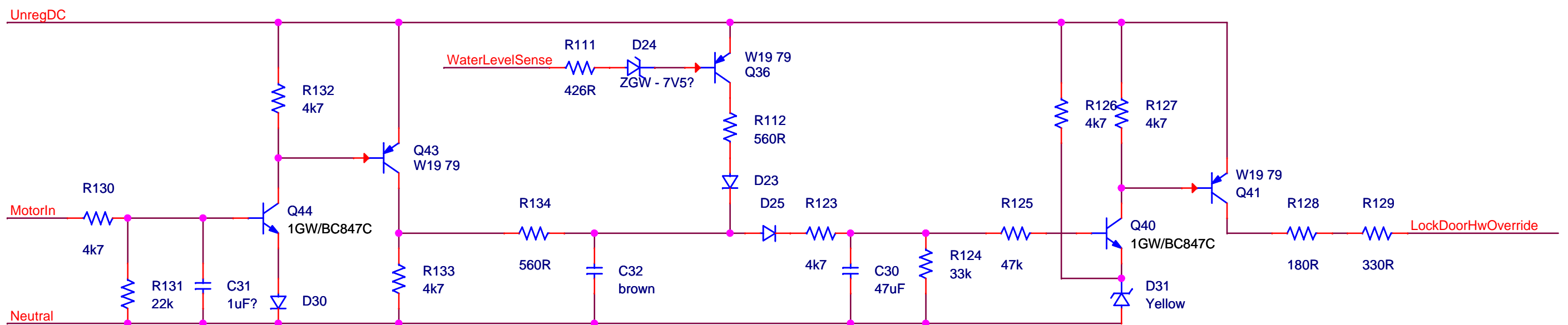
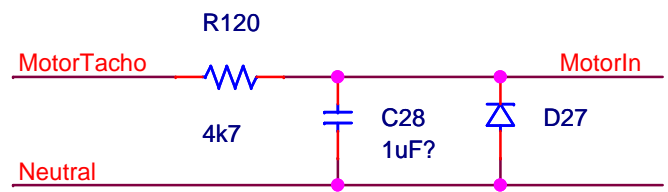
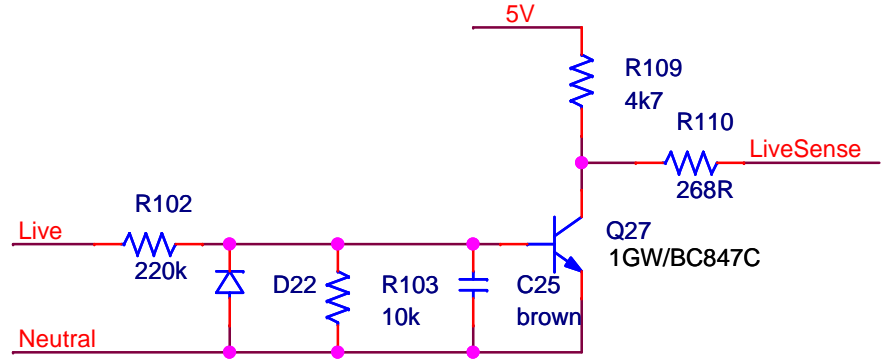
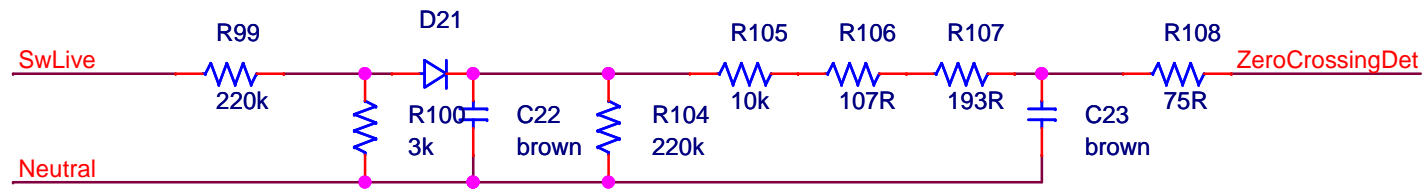


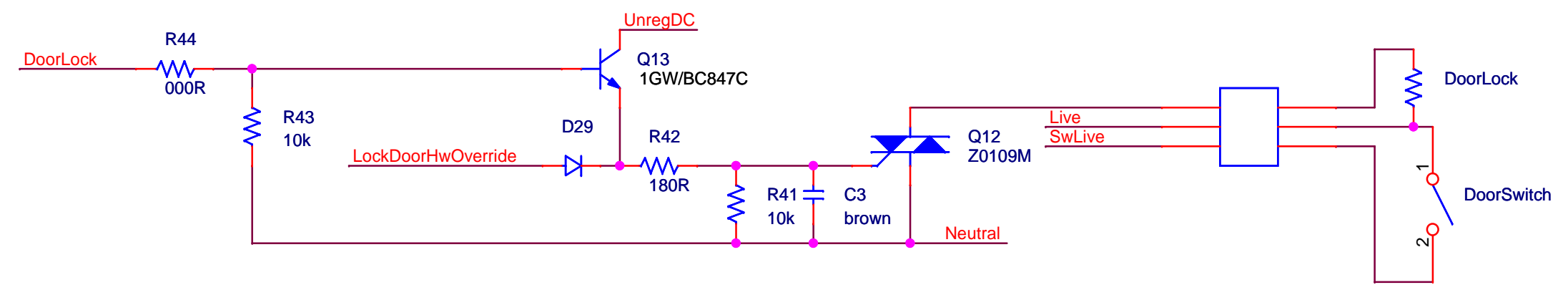
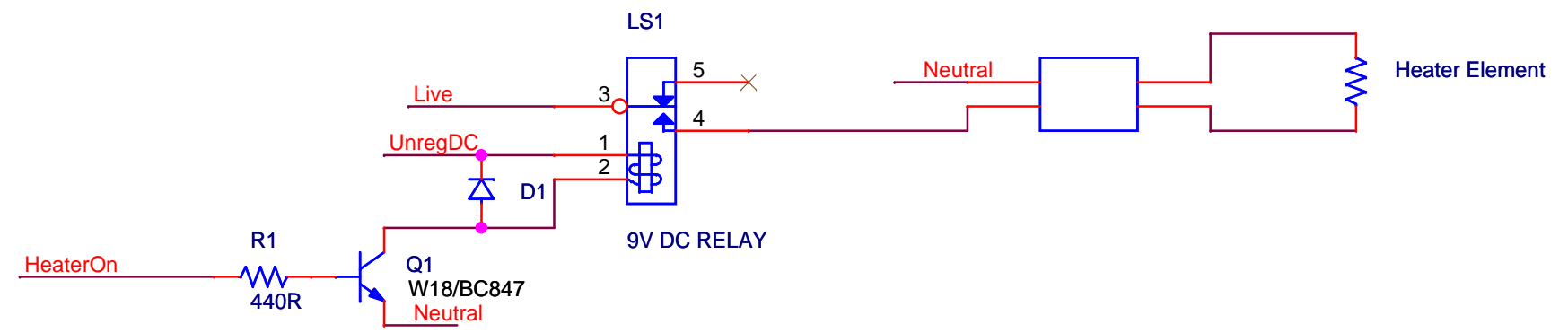
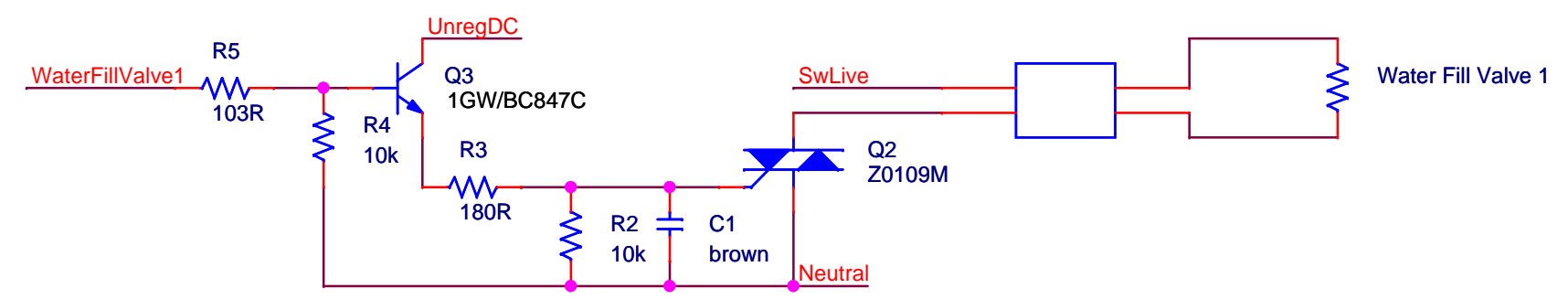
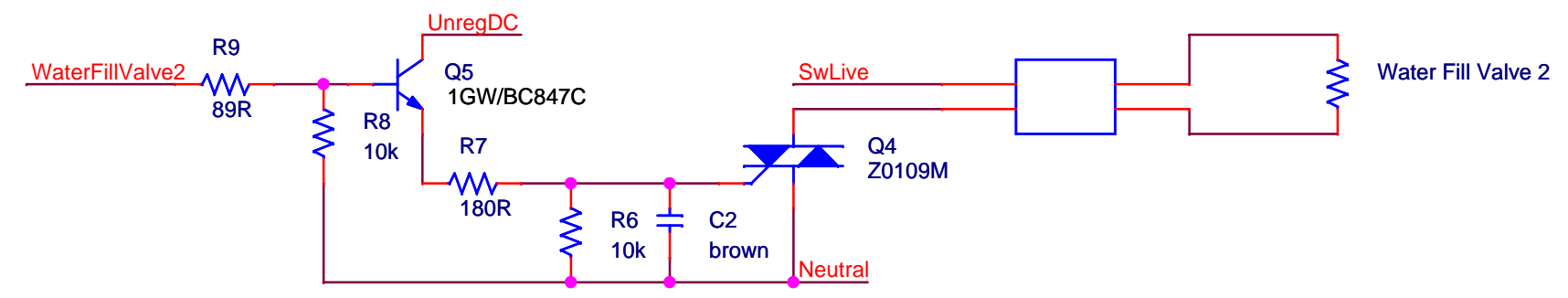
Title		
<Title>		
Size	Document Number	Rev
A4	<Doc>	<RevCo
Date:	Thursday, September 26, 2013	Sheet 1 of 1



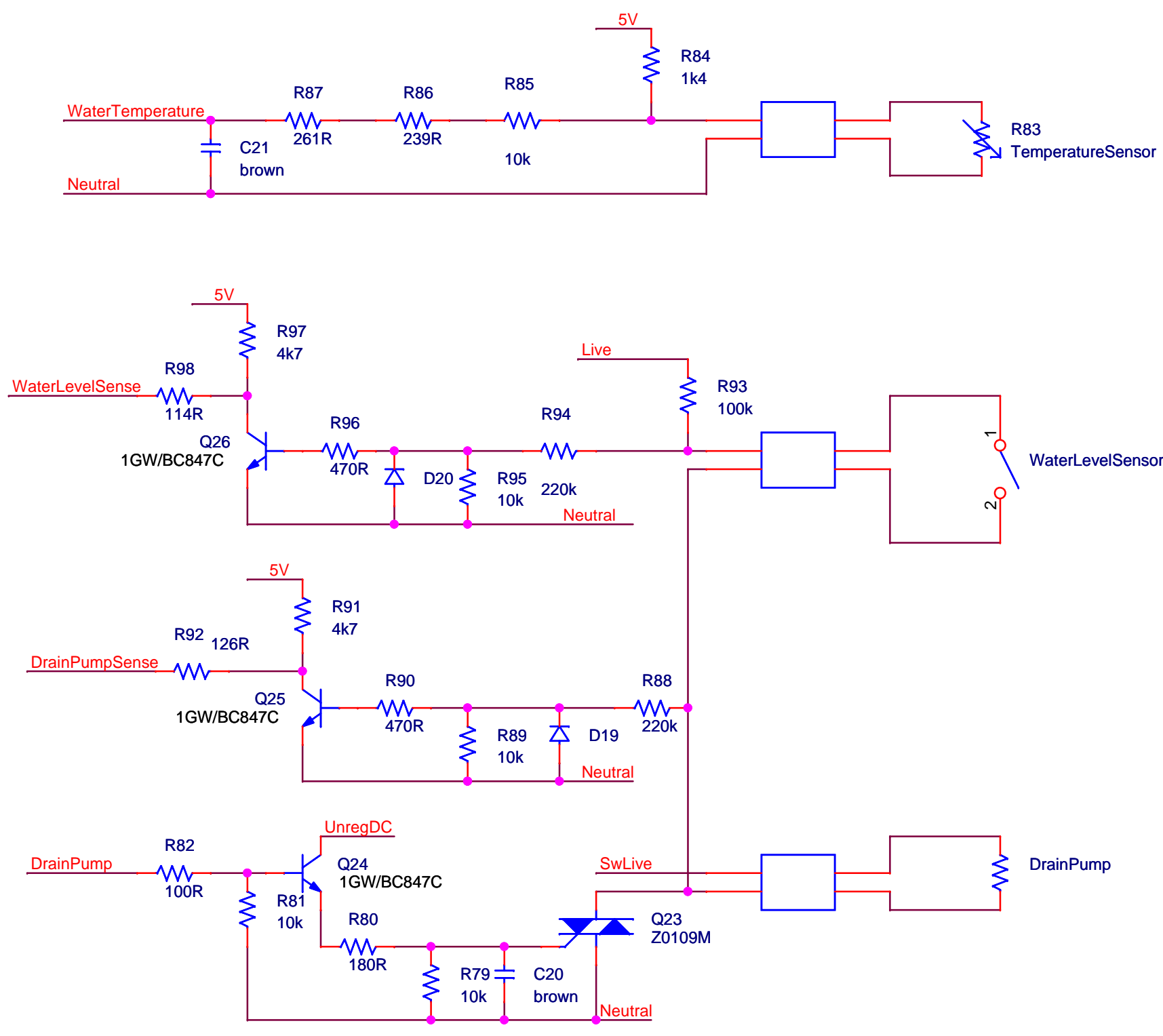
Title			<Title>
Size	Document Number	Rev	
A4	<Doc>	<RevCo	
Date:	Thursday, September 26, 2013	Sheet	1 of 1



Title		
<Title>		
Size	Document Number	Rev
A4	<Doc>	<RevCo
Date:	Thursday, September 26, 2013	Sheet 1 of 1

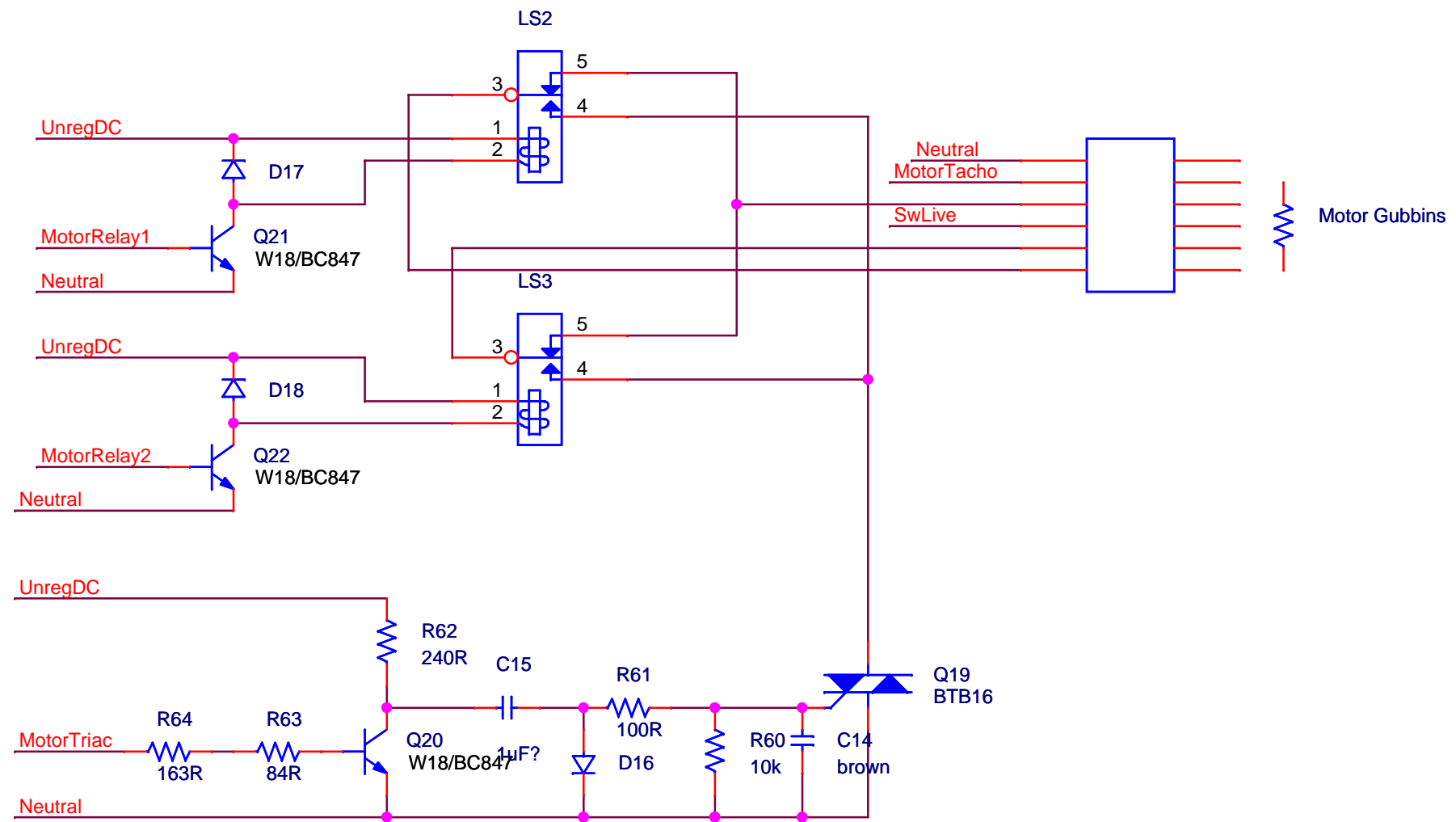


Title		
<Title>		
Size	Document Number	Rev
A4	<Doc>	<RevCo
Date:	Friday, September 27, 2013	Sheet 1 of 1



Title		
<Title>		
Size	Document Number	Rev
A4	<Doc>	<RevCo
Date:	Friday, September 27, 2013	Sheet 1 of 1





Title		
<Title>		
Size	Document Number	Rev
A4	<Doc>	<RevCo
Date:	Friday, September 27, 2013	Sheet 1 of 1